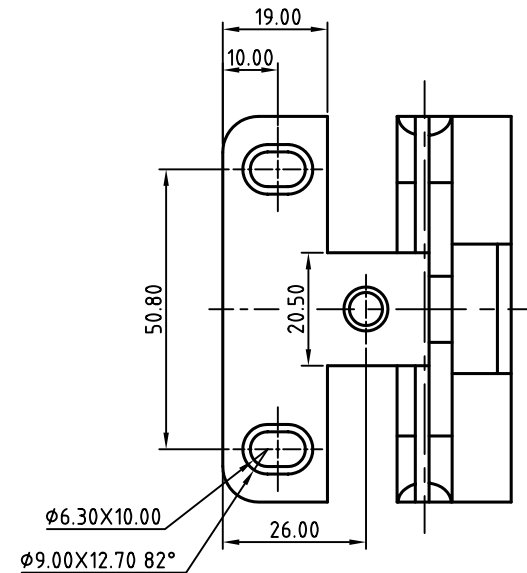
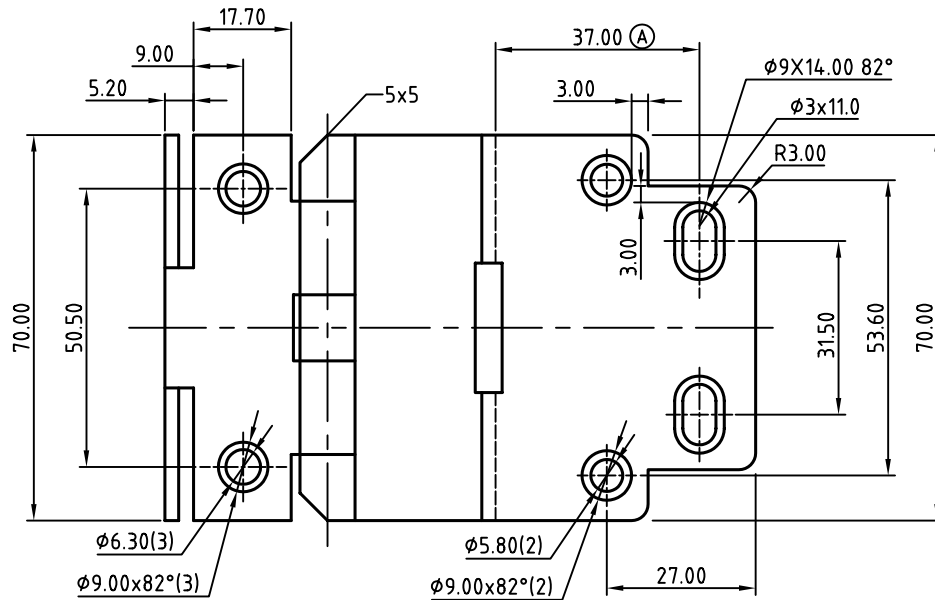


HINGE PIN

CLOSED



HARDWARE RESOURCES PROPRIETARY AND CONFIDENTIAL THE INFORMATION CONTAINED IN THIS DRAWING IS THE SOLE PROPERTY OF HARDWARE RESOURCES INC. ANY REPRODUCTION IN PART OR AS A WHOLE WITHOUT THE WRITTEN PERMISSION OF HARDWARE RESOURCES INC. IS PROHIBITED.	4310 MARLENA ST, BOSSER CITY, LA 71111	ITEM# HR0076	MATERIAL: STEEL
	FINISH:	WEIGHT:	PROJECTION:
TOLERANCE UNLESS OTHERWISE SPECIFIED: X.1 MM ±0.20 X.36 MM ±0.10 X.508 MM ±0.05 ANGULAR: ±0.5° DO NOT SCALE DRAWING	UNIT: SIZE:	DRAWN BY: <i>alan.bui</i>	DATE:
		CHECKED BY:	DATE:
		APPROVED BY:	DATE: